

Scaled data based on original data using
LM-79-08 Approved Method: Electrical and Photometric Measurements of Solid-State
Lighting Products

Test Report Prepared for
Cooper Lighting Solutions
(formerly Eaton)

Brand: STREETWORKS

Report Number: P571655

Luminaire Tested: **UFLD-CA2-180-727-U-66-TS2_UFLD**

Issue Date: 9/21/2021

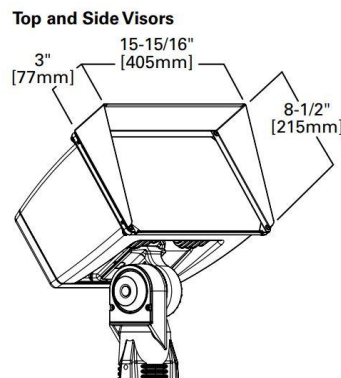
Test Information

Test Method: LM-79-08
Report Number: P571655
TEST IS SCALED FROM IESNA LM-79-08 TEST DATA (G2-2109-378-4)
Test Lab: COOPER LIGHTING SOLUTIONS
Issue Date: 9/21/2021
Manufacturer: COOPER LIGHTING SOLUTIONS (FORMERLY EATON)
Product Line: STREETWORKS
Catalog Number: UFLD-CA2-180-727-U-66-TS2_UFLD
Description: FLOOD LIGHT, 6x6 OPTIC WITH TOP AND SIDE VISOR
Light Source: (2) 2700K CCT, 70 CRI LEDS
Ballast/Driver: -

Summary

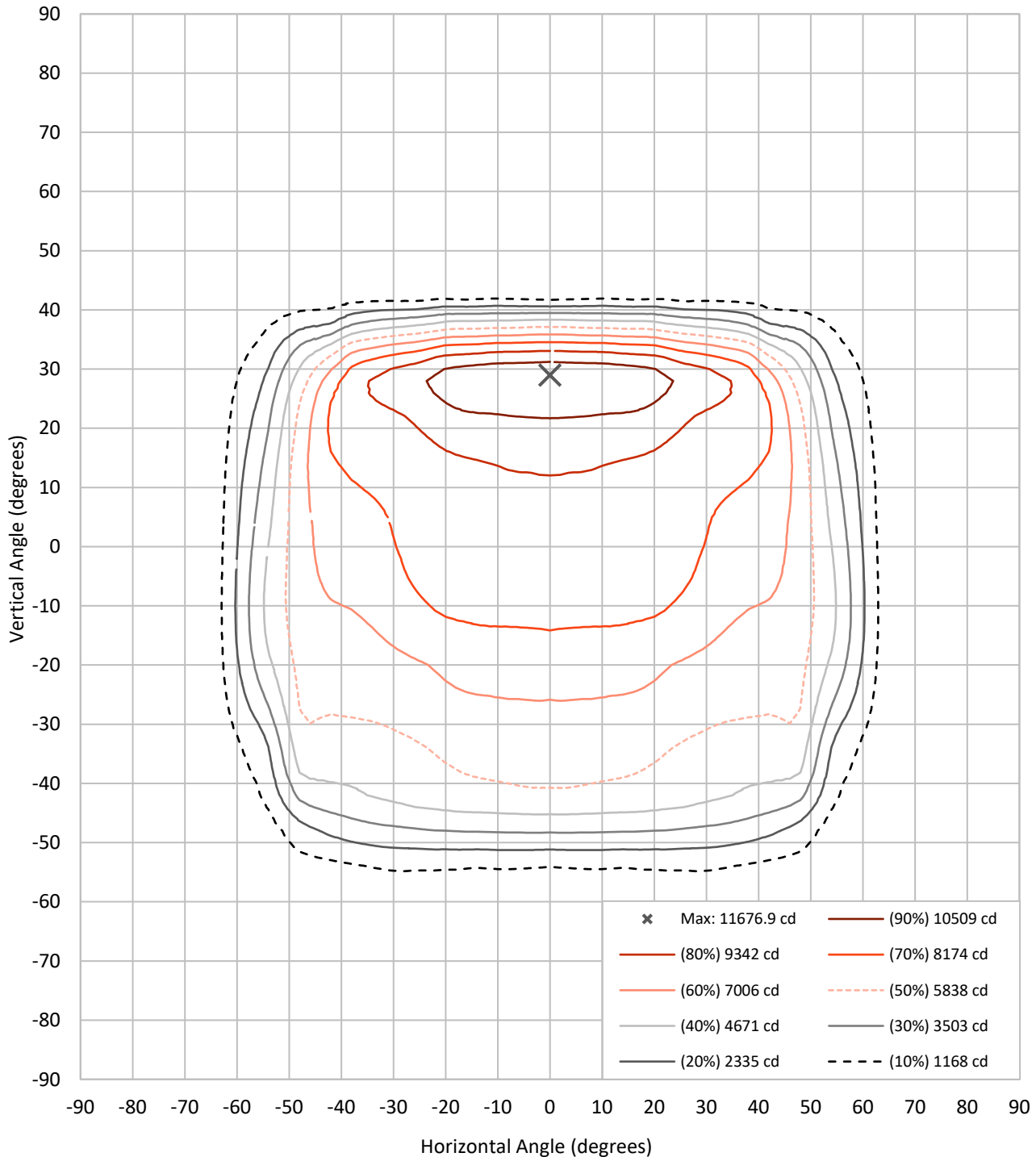
Lumens per Lamp:	N/A	NEMA Type:	6H x 5V
Luminaire Lumens:	19299 lumens	Max Intensity:	11676.9 candela
Efficiency:	N/A	Max Intensity Angle:	0°H x 29°V
Efficacy:	105.6 lumens/watt		
Luminous Opening:	Rectangular (W 1.25' x L: 0.67' x H: 0')		
Beam Angle (50%):	91.9°H x 77.9°V	Field Angle (10%):	119.5°H x 95.8°V
Beam Lumens:	14857.7 lumens	Field Lumens:	18806.1 lumens
Beam Efficiency:	77.0%	Field Efficiency:	97.4%

Input Watts (W): 182.8
Input Voltage (V): 120
Input Current (Ain): NR
Voltage Rise (V): NR
Power Factor: NR
Total Harmonic Distortion (THDi): NR
Frequency (hertz): 60
Stabilization Time: NR
Operation Time: NR
Ambient Temperature (°C): NR
Test Distance: 25 FT



REPORT NUMBER: P571655
CATALOG NUMBER: UFLD-CA2-180-727-U-66-TS2_UFLD

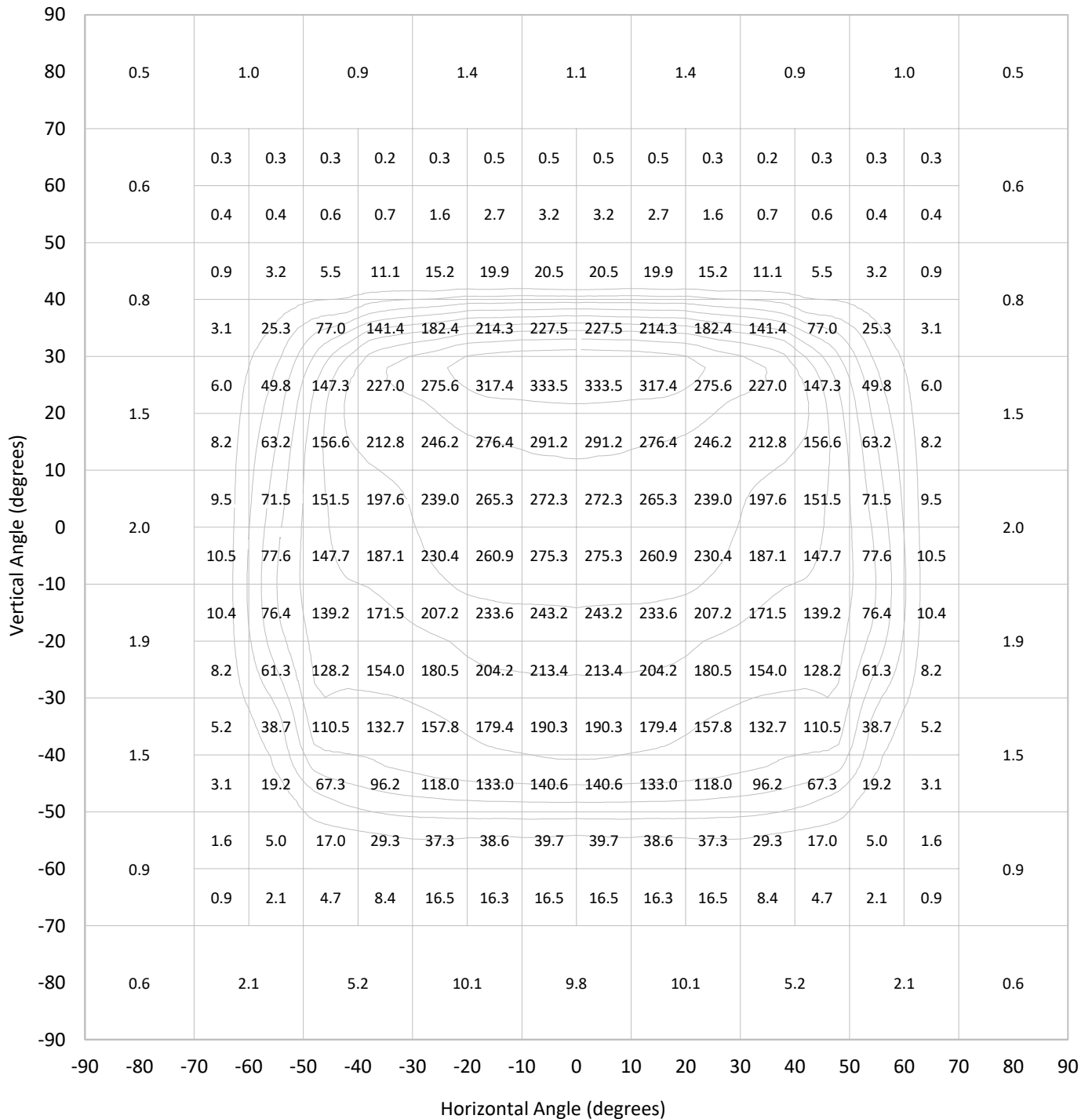
Iso-Candela Plot





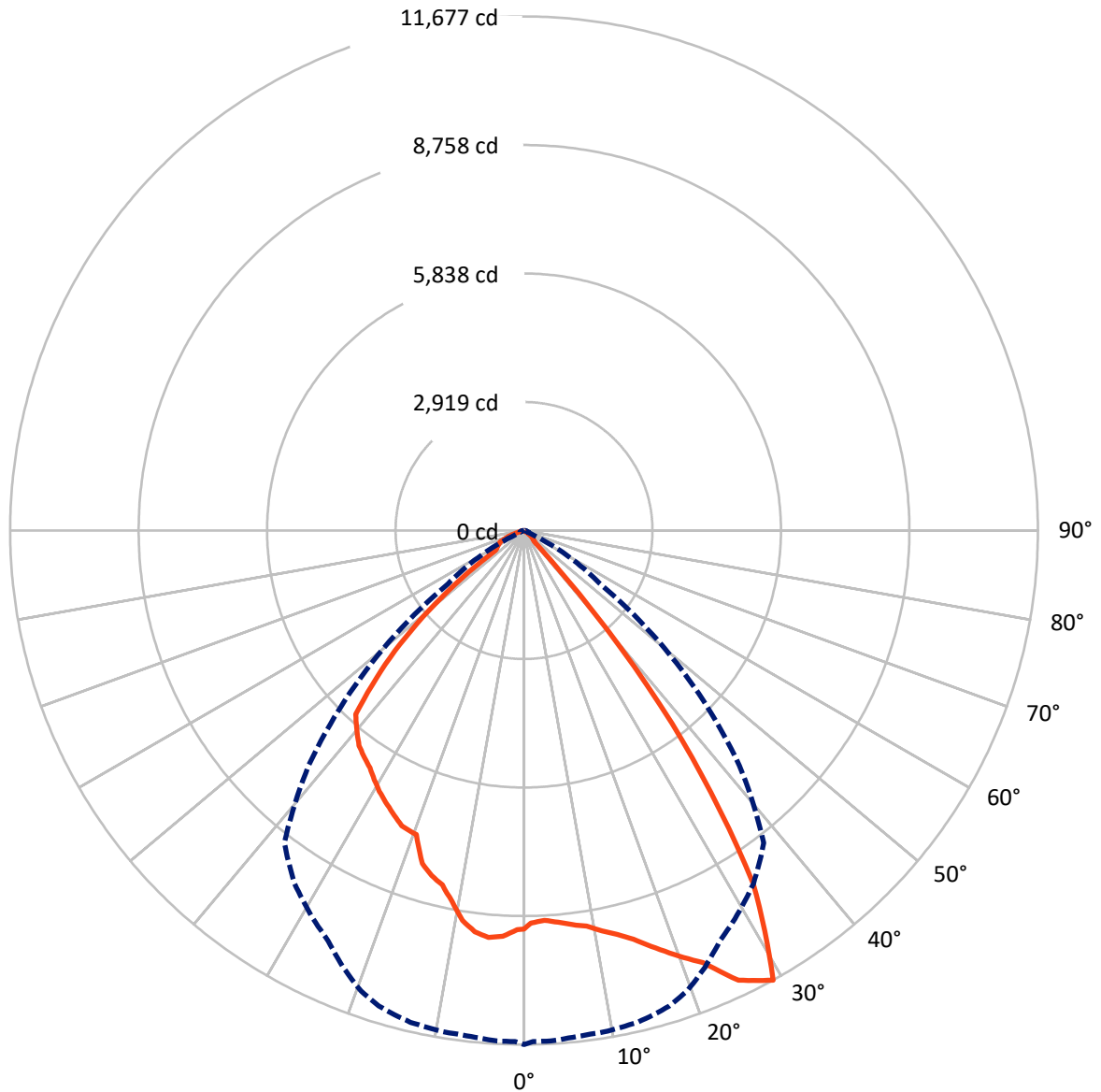
REPORT NUMBER: P571655
 CATALOG NUMBER: UFLD-CA2-180-727-U-66-TS2_UFLD

Lumen Table



REPORT NUMBER: P571655
CATALOG NUMBER: UFLD-CA2-180-727-U-66-TS2_UFLD

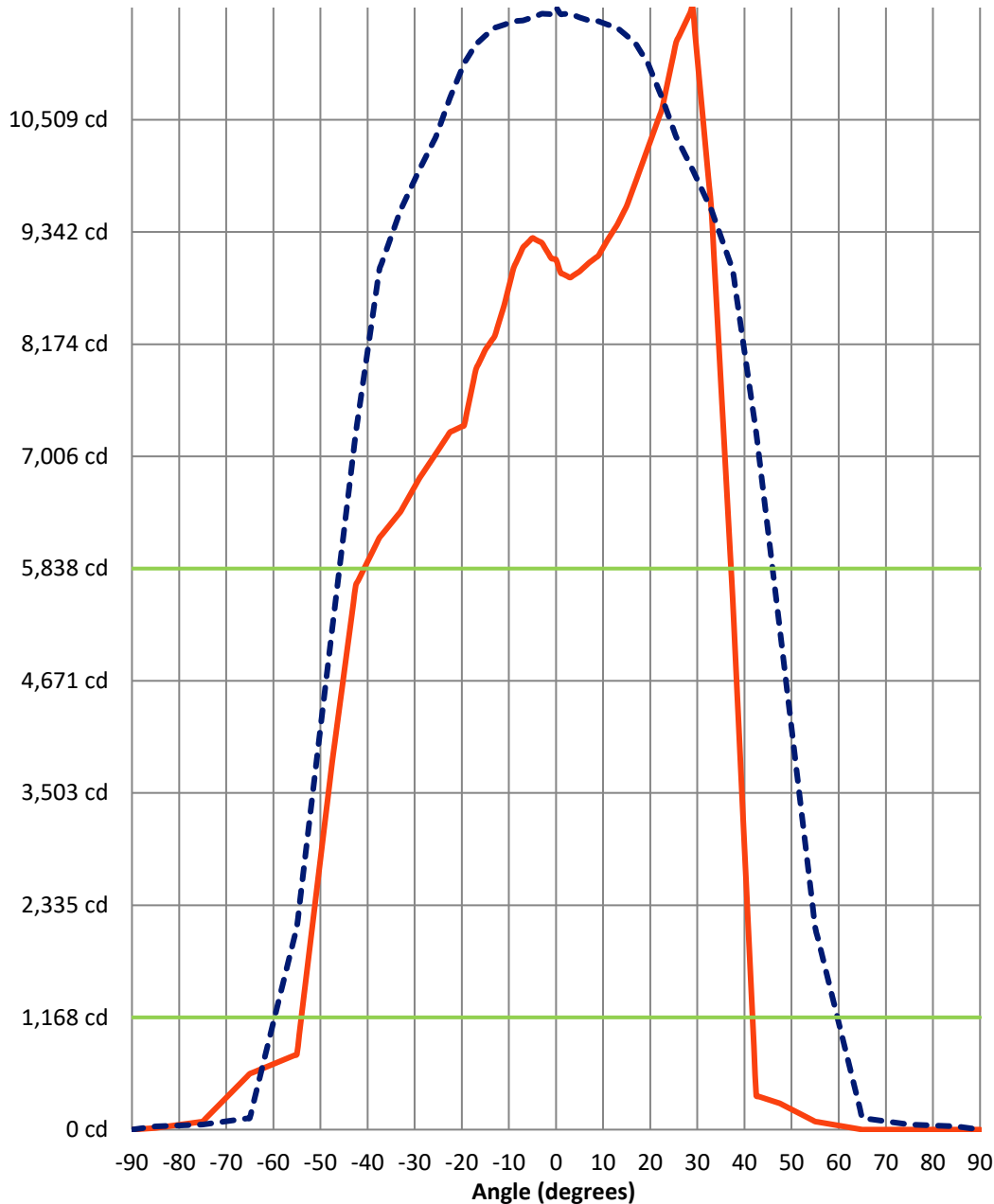
Luminous Intensity Polar Plot



— Vertical Distribution Through 0-Deg - - - Horizontal Distribution Through 29-Deg

REPORT NUMBER: P571655
 CATALOG NUMBER: UFLD-CA2-180-727-U-66-TS2_UFLD

Luminous Intensity Plot



Beam:
 H Angle: 91.9°
 V Angle: 77.9°
 Lumens: 14857.7
 Efficiency: 77.0%

Field:
 H Angle: 119.5°
 V Angle: 95.8°
 Lumens: 18806.1
 Efficiency: 97.4%

Spill:
 Lumens: 492.9
 Efficiency: 2.6%

- Vertical Distribution through 0-Deg
- - - Horizontal Distribution through 29-Deg



REPORT NUMBER: P571655
 CATALOG NUMBER: UFLD-CA2-180-727-U-66-TS2_UFLD

FIELD
 BEAM

CANDELA DISTRIBUTION:

	0°	1°	3°	5°	7°	9°	11°	13°	15°	17°	19.5°
90°	0.0	0.0	0.0	0.0	0.0	0.0	0.0	0.0	0.0	0.0	0.0
85°	0.0	5.3	13.2	16.7	17.6	19.3	19.3	21.1	21.1	20.2	19.3
75°	0.0	1.8	5.3	7.9	9.7	11.4	12.3	12.3	12.3	11.4	11.4
65°	0.0	0.9	3.5	5.3	7.0	7.9	7.9	8.8	8.8	8.8	7.9
55°	84.3	86.9	85.2	84.3	84.3	82.6	79.0	73.8	67.6	68.5	64.1
47.5°	273.1	270.5	271.4	269.6	267.0	259.1	254.7	251.2	248.5	247.7	236.2
42.5°	353.0	364.5	397.8	469.0	544.5	625.3	629.7	568.2	493.6	411.9	573.5
37.5°	5523.2	5608.4	5496.0	5466.1	5317.7	5349.3	5322.9	5239.5	5233.4	5280.8	5222.8
33°	9560.4	9592.0	9533.2	9517.4	9486.6	9486.6	9453.2	9303.9	9195.9	9129.2	9108.1
29°	11676.9	11608.4	11612.8	11574.2	11542.6	11534.6	11498.6	11466.1	11384.5	11294.0	11096.4
25.5°	11316.8	11281.7	11298.4	11234.3	11222.9	11175.5	11179.8	11135.9	11076.2	10982.2	10771.5
22.5°	10622.2	10626.6	10623.9	10590.6	10578.3	10535.2	10483.4	10473.7	10468.5	10400.0	10246.3
19.5°	10215.6	10172.5	10157.6	10179.5	10142.7	10088.2	10029.4	9989.8	9942.4	9923.1	9866.0
17°	9876.6	9830.9	9851.1	9819.5	9794.9	9723.7	9661.4	9607.8	9583.2	9549.0	9465.5
15°	9611.3	9575.3	9569.2	9545.5	9563.9	9477.0	9440.1	9394.4	9344.3	9294.3	9226.7
13°	9417.2	9426.0	9411.1	9348.7	9376.8	9307.5	9261.8	9203.8	9161.7	9116.0	9078.2
11°	9262.7	9274.1	9214.4	9211.7	9224.9	9134.5	9121.3	9053.7	9029.9	9034.3	8933.3
9°	9094.9	9120.4	9141.5	9113.4	9093.2	9057.2	9036.1	9011.5	8966.7	8973.7	8948.3
7°	9020.3	8999.2	8993.9	9034.3	9002.7	8968.5	8932.5	8945.6	8954.4	8979.0	8948.3
5°	8930.7	8943.0	8950.9	8926.3	8921.9	8935.1	8912.3	8938.6	8946.5	9122.2	9176.6
3°	8866.6	8912.3	8888.5	8858.7	8879.8	8900.0	8947.4	8951.8	9037.0	9139.7	9169.6
1°	8915.8	8948.3	8950.9	8950.9	8972.0	9037.0	9042.2	9068.6	9130.9	9174.0	9197.7
0°	9053.7	9033.5	9045.8	9027.3	9078.2	9111.6	9116.0	9094.9	9140.6	9286.4	9286.4
-1°	9067.7	9076.5	9112.5	9122.2	9109.0	9150.3	9086.1	9091.4	9113.4	9199.4	9118.6
-3°	9228.4	9231.1	9226.7	9230.2	9209.1	9197.7	9152.9	9116.9	9065.1	8983.4	8914.9
-5°	9279.4	9285.5	9262.7	9252.1	9204.7	9128.3	9104.6	9043.1	8958.8	8867.5	8801.6
-7°	9181.0	9182.8	9109.0	9129.2	9051.0	8963.2	8902.6	8817.4	8756.8	8668.1	8602.2
-9°	8966.7	8935.1	8884.2	8868.3	8794.6	8686.6	8604.0	8539.9	8509.2	8457.3	8472.3
-11°	8578.5	8553.1	8555.7	8512.7	8456.5	8409.0	8368.6	8342.3	8323.8	8301.9	8270.3
-13°	8258.9	8245.7	8201.8	8214.9	8186.8	8196.5	8205.3	8194.7	8172.8	8143.8	8098.1
-15°	8115.7	8105.2	8085.8	8070.9	8068.3	8068.3	8064.8	8060.4	8041.1	7969.0	7898.8
-17°	7911.1	7884.7	7883.0	7878.6	7868.9	7874.2	7863.7	7845.2	7839.9	7791.6	7723.1
-19.5°	7328.8	7342.0	7340.2	7359.6	7338.5	7374.5	7387.7	7388.5	7361.3	7330.6	7273.5
-22.5°	7257.7	7217.3	7222.5	7234.0	7213.8	7205.9	7202.3	7205.9	7178.6	7142.6	7050.4
-25.5°	7034.6	7050.4	7051.3	7028.5	7032.0	7035.5	6994.2	6991.6	6964.3	6924.8	6824.7
-29°	6777.3	6786.9	6765.0	6766.7	6729.9	6714.1	6665.8	6637.6	6592.9	6566.5	6469.0
-33°	6430.4	6452.3	6432.1	6426.0	6390.0	6361.9	6321.5	6301.3	6230.2	6166.0	6093.1
-37.5°	6158.1	6133.5	6127.4	6139.7	6092.3	6076.5	6037.8	6004.4	5954.4	5892.0	5799.8
-42.5°	5662.8	5694.4	5683.0	5647.0	5626.8	5567.1	5543.4	5513.5	5494.2	5484.5	5380.0
-47.5°	3828.2	3844.9	3839.6	3827.3	3814.1	3808.9	3783.4	3763.2	3758.8	3743.0	3692.9
-55°	783.4	803.6	818.5	855.4	871.2	894.0	873.0	833.4	826.4	909.0	901.9
-65°	580.5	577.9	575.2	572.6	568.2	566.5	570.8	574.4	571.7	583.1	606.0
-75°	83.4	82.6	85.2	86.1	79.9	79.9	93.1	90.5	94.0	94.0	94.8
-85°	16.7	14.9	16.7	24.6	25.5	29.0	31.6	34.3	35.1	35.1	35.1
-90°	0.0	0.0	0.0	0.0	0.0	0.0	0.0	0.0	0.0	0.0	0.0



REPORT NUMBER: P571655
 CATALOG NUMBER: UFLD-CA2-180-727-U-66-TS2_UFLD

CANDELA DISTRIBUTION (continued):

	22.5°	25.5°	29°	33°	37.5°	42.5°	47.5°	55°	65°	75°	85°
90°	0.0	0.0	0.0	0.0	0.0	0.0	0.0	0.0	0.0	0.0	0.0
85°	17.6	15.8	14.1	12.3	10.5	11.4	13.2	16.7	23.7	27.2	29.9
75°	10.5	9.7	8.8	8.8	8.8	10.5	12.3	15.8	22.8	26.3	30.7
65°	7.9	7.0	6.1	6.1	6.1	7.9	12.3	16.7	23.7	27.2	30.7
55°	58.0	42.2	23.7	24.6	24.6	25.5	26.3	22.0	27.2	29.9	31.6
47.5°	201.1	142.3	86.1	67.6	67.6	58.8	50.9	38.6	50.1	32.5	31.6
42.5°	563.8	258.2	414.5	443.5	384.7	172.1	226.6	257.3	64.1	36.9	32.5
37.5°	4796.0	4592.3	4318.2	4089.9	3566.5	2250.9	2035.7	894.9	76.4	42.2	32.5
33°	8787.6	8316.8	8087.6	7613.4	7248.9	5305.4	4094.3	1522.8	100.1	47.4	33.4
29°	10738.1	10331.5	9989.0	9568.3	8947.4	7248.9	5211.4	2106.9	120.3	52.7	33.4
25.5°	10446.5	10116.3	9784.3	9473.4	9139.7	8004.2	5899.1	2528.4	139.6	58.8	33.4
22.5°	9949.4	9588.5	9281.1	9098.4	8909.6	8251.8	6266.2	2822.6	158.1	65.0	34.3
19.5°	9571.8	9250.4	8968.5	8782.3	8765.6	8295.7	6470.8	3061.5	180.0	75.5	34.3
17°	9229.3	8965.0	8739.2	8654.1	8696.2	8181.6	6620.1	3259.1	200.2	82.6	34.3
15°	8998.3	8790.2	8607.5	8587.3	8559.2	8052.5	6731.6	3426.8	216.9	86.1	34.3
13°	8893.8	8710.3	8568.0	8548.7	8386.2	7900.5	6792.2	3580.5	230.1	88.7	34.3
11°	8771.7	8649.7	8575.0	8422.2	8194.7	7709.1	6796.6	3714.0	243.3	93.1	34.3
9°	8792.8	8633.9	8515.3	8275.5	8007.7	7612.5	6796.6	3835.2	240.6	95.7	34.3
7°	8802.5	8654.1	8409.0	8129.8	7861.0	7516.8	6814.2	3955.5	229.2	99.2	34.3
5°	8848.1	8633.0	8356.3	8015.6	7740.7	7448.3	6757.1	4078.5	224.8	101.9	34.3
3°	8850.8	8631.2	8334.4	7902.3	7656.4	7383.3	6750.1	4183.9	223.9	102.8	35.1
1°	8853.4	8622.4	8265.9	7789.9	7584.4	7350.8	6740.4	4301.6	226.6	102.8	35.1
0°	8840.2	8582.9	8236.9	7761.8	7539.6	7326.2	6751.8	4363.9	228.3	101.0	35.1
-1°	8825.3	8529.4	8165.8	7722.3	7505.3	7316.5	6739.5	4425.4	228.3	100.1	35.1
-3°	8715.5	8441.5	8099.0	7685.4	7445.6	7258.6	6693.9	4530.8	235.4	100.1	35.1
-5°	8601.4	8343.2	8027.9	7586.1	7372.7	7187.4	6706.2	4593.1	238.9	100.1	35.1
-7°	8488.1	8218.5	7927.8	7542.2	7265.6	7080.3	6673.7	4673.9	239.8	99.2	35.1
-9°	8303.6	8070.0	7760.9	7381.5	7125.9	7001.2	6662.2	4714.3	241.5	99.2	35.1
-11°	8148.2	7870.7	7591.4	7241.0	6990.7	6870.4	6607.8	4709.1	243.3	98.4	35.1
-13°	7931.3	7683.6	7429.8	7099.6	6874.8	6721.1	6552.5	4677.4	242.4	99.2	35.1
-15°	7735.4	7493.0	7237.5	6978.4	6744.8	6563.0	6469.9	4605.4	242.4	99.2	35.1
-17°	7537.0	7302.5	7062.7	6813.3	6614.8	6469.9	6408.4	4469.3	240.6	98.4	35.1
-19.5°	7092.6	6914.3	6765.0	6628.9	6462.0	6292.5	6311.8	4222.5	234.5	98.4	35.1
-22.5°	6868.6	6686.8	6534.9	6397.9	6266.2	6098.4	6210.0	3848.4	224.8	96.6	35.1
-25.5°	6665.8	6491.0	6334.7	6198.5	6109.0	6006.2	6117.7	3363.6	215.2	94.8	35.1
-29°	6322.4	6178.3	6049.2	5914.0	5842.0	5798.9	5970.2	2715.5	208.1	91.3	34.3
-33°	5940.3	5817.4	5690.9	5508.2	5431.0	5431.8	5623.3	1904.0	203.7	86.1	34.3
-37.5°	5671.6	5535.5	5346.7	5144.7	5003.3	5028.7	5067.4	1489.5	206.4	78.2	34.3
-42.5°	5240.4	5167.5	4939.2	4741.6	4483.4	4221.6	3831.7	1112.7	180.9	65.0	34.3
-47.5°	3664.0	3558.6	3462.0	3352.2	3112.4	2679.5	2048.0	440.0	161.6	50.9	34.3
-55°	956.4	945.0	1006.4	925.7	757.9	565.6	492.7	168.6	122.1	43.9	34.3
-65°	658.7	684.1	537.5	357.4	180.9	153.7	239.8	91.3	66.7	38.6	33.4
-75°	92.2	82.6	65.0	68.5	72.0	67.6	61.5	37.8	37.8	35.1	32.5
-85°	34.3	32.5	31.6	30.7	29.0	27.2	27.2	28.1	31.6	34.3	32.5
-90°	0.0	0.0	0.0	0.0	0.0	0.0	0.0	0.0	0.0	0.0	0.0



REPORT NUMBER: P571655
CATALOG NUMBER: UFLD-CA2-180-727-U-66-TS2_UFLD

CANDELA DISTRIBUTION (continued):

	90°
90°	0.0
85°	0.0
75°	0.0
65°	0.0
55°	0.0
47.5°	0.0
42.5°	0.0
37.5°	0.0
33°	0.0
29°	0.0
25.5°	0.0
22.5°	0.0
19.5°	0.0
17°	0.0
15°	0.0
13°	0.0
11°	0.0
9°	0.0
7°	0.0
5°	0.0
3°	0.0
1°	0.0
0°	0.0
-1°	0.0
-3°	0.0
-5°	0.0
-7°	0.0
-9°	0.0
-11°	0.0
-13°	0.0
-15°	0.0
-17°	0.0
-19.5°	0.0
-22.5°	0.0
-25.5°	0.0
-29°	0.0
-33°	0.0
-37.5°	0.0
-42.5°	0.0
-47.5°	0.0
-55°	0.0
-65°	0.0
-75°	0.0
-85°	0.0
-90°	0.0

(END OF REPORT)